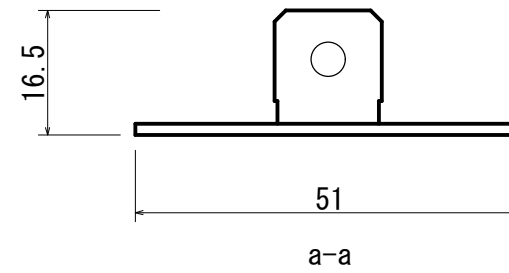
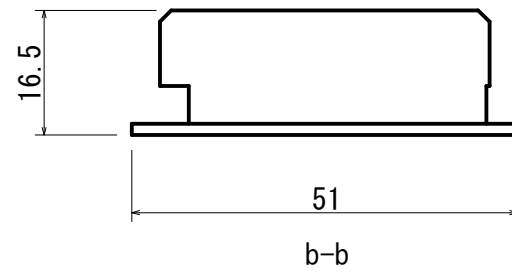
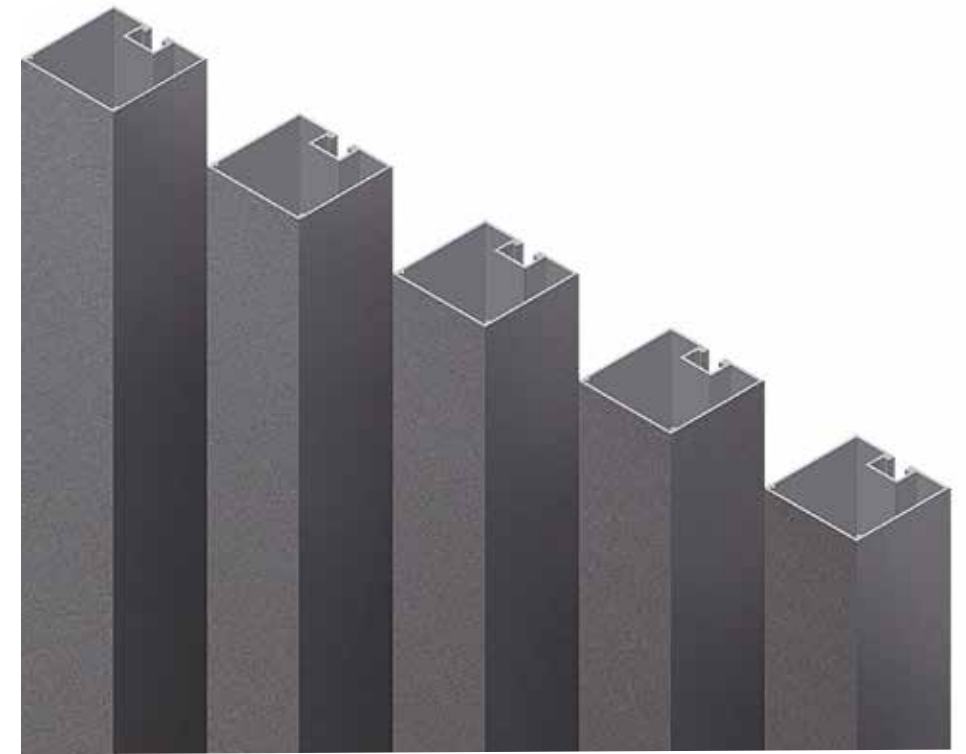
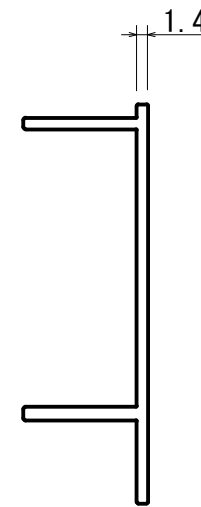
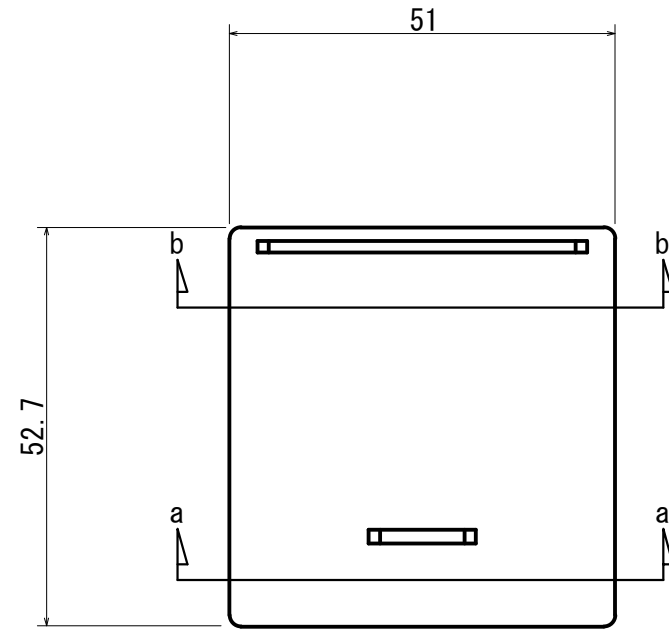
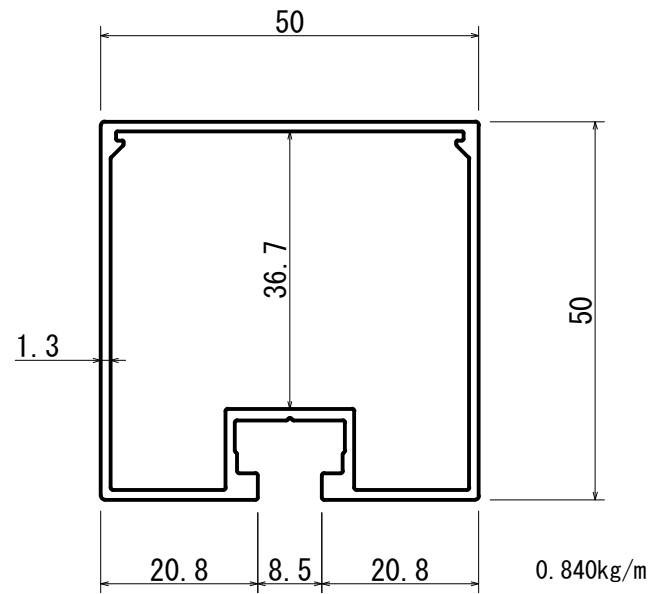


# Mizotsuki Batten System detail

## Profile: Mizotsuki 50X50

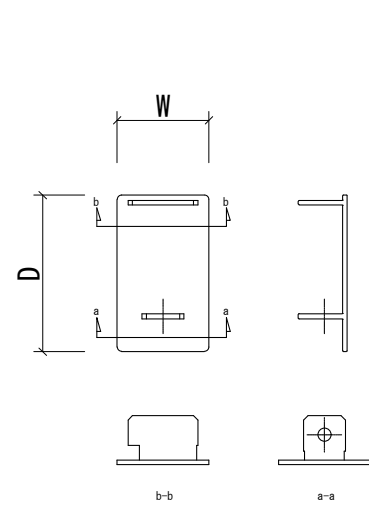
Batten: 0.840 kg/m



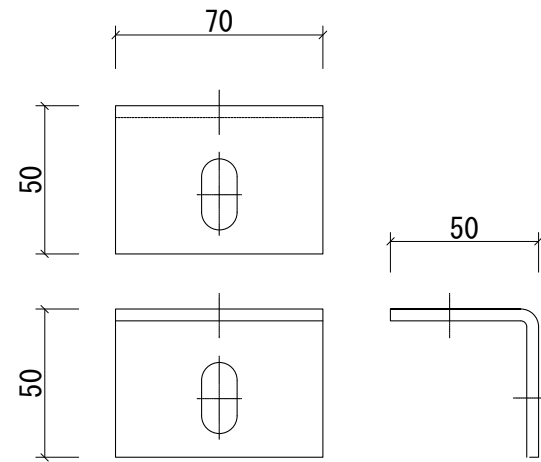
			Product Name				Project Name		Date	Page	Scale	Projection
			MIZOTSUKI 50x50						06/2021	1 of 4	1:1 (A3)	
			Approval	Check	Drawing	Design			Covet International 27 / 131 Hyde St Yarraville VIC 3013		T +613 9398 8128 info@covet.com.au www.covet.com.au	

# Mizotsuki Batten System detail

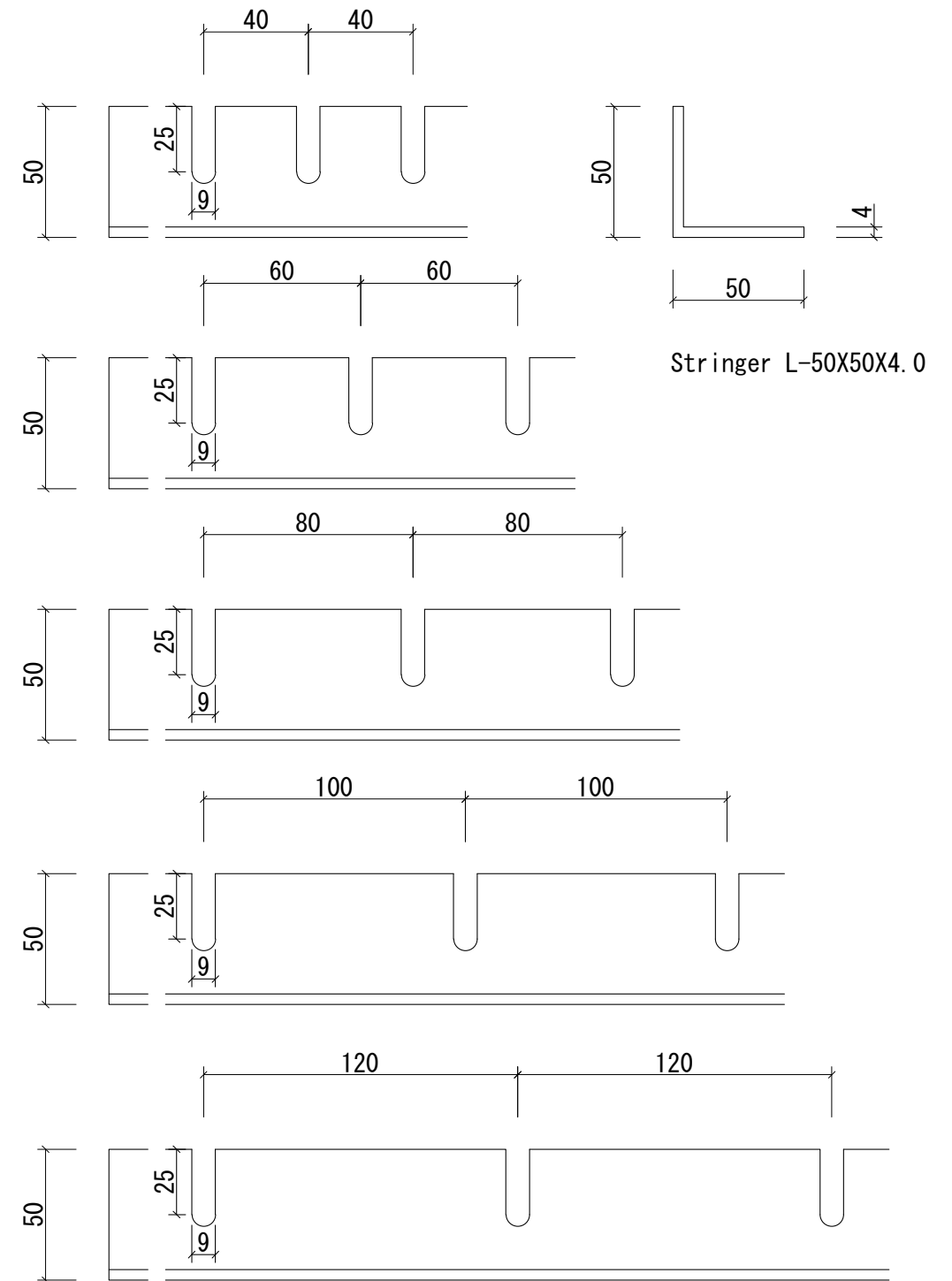
## Profile: Mizotsuki L Brackets




End cap



Stringer L-50X50X4.0

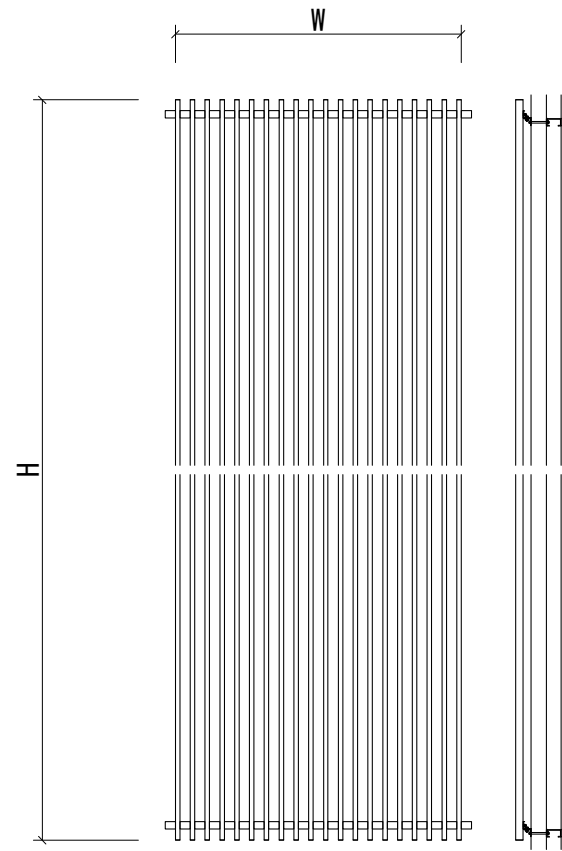


Stringer L-50X50X4.0

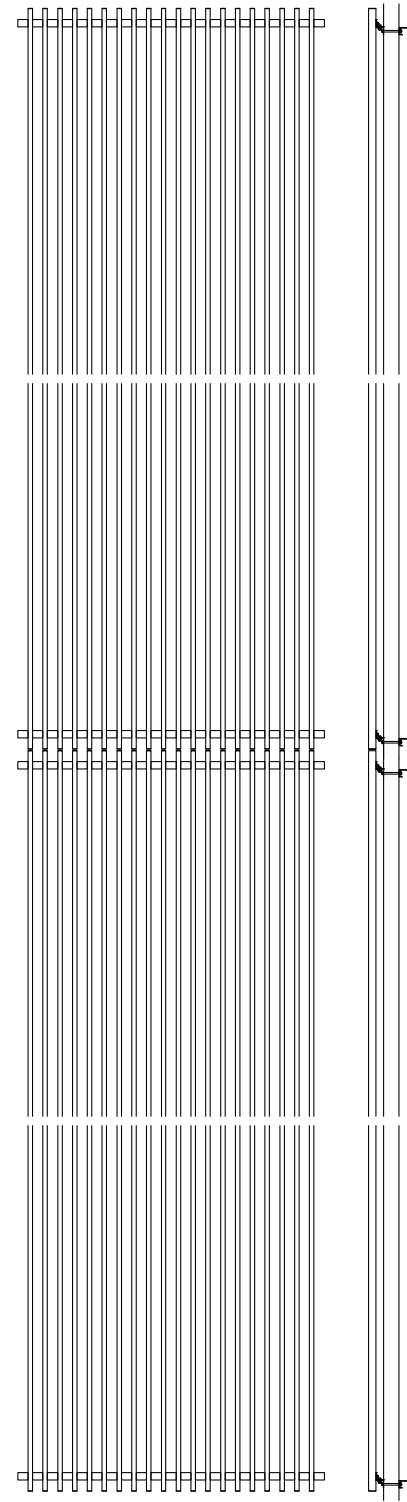
		Product Name				Project Name	Date	Page	Scale	Projection
3		<b>MIZOTSUKI L BRACKETS</b>					06/2021	2 of 4	1:50 (A3)	⊕
2		Approval	Check	Drawing	Design	 Covet International 27 / 131 Hyde St Yarraville VIC 3013				
1										

# Mizotsuki Batten System detail

## Profile: Mizotsuki Fixings

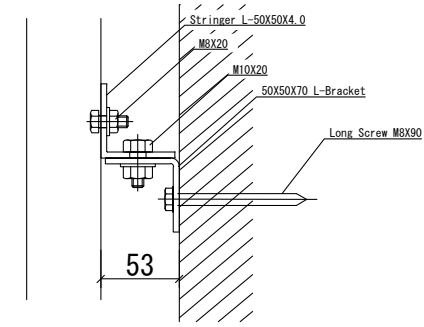


SINGLE PANEL

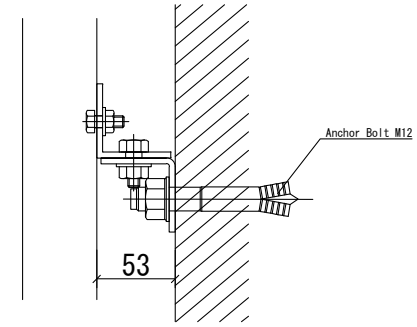


MULTIPLE PANEL

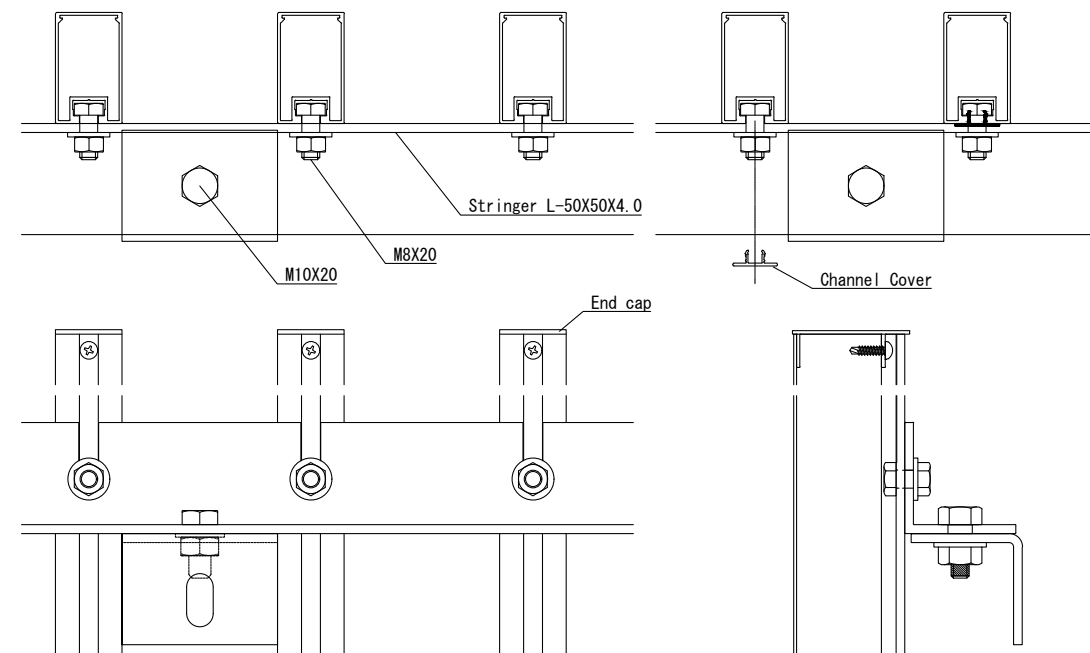
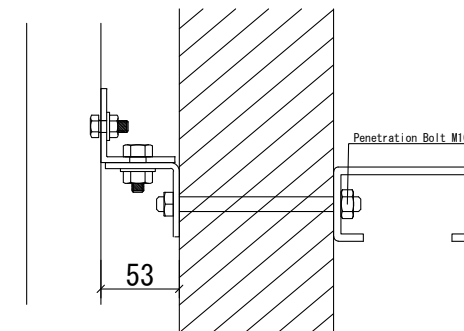
### WOOD STRUCTURE



### CONCRETE STRUCTURE



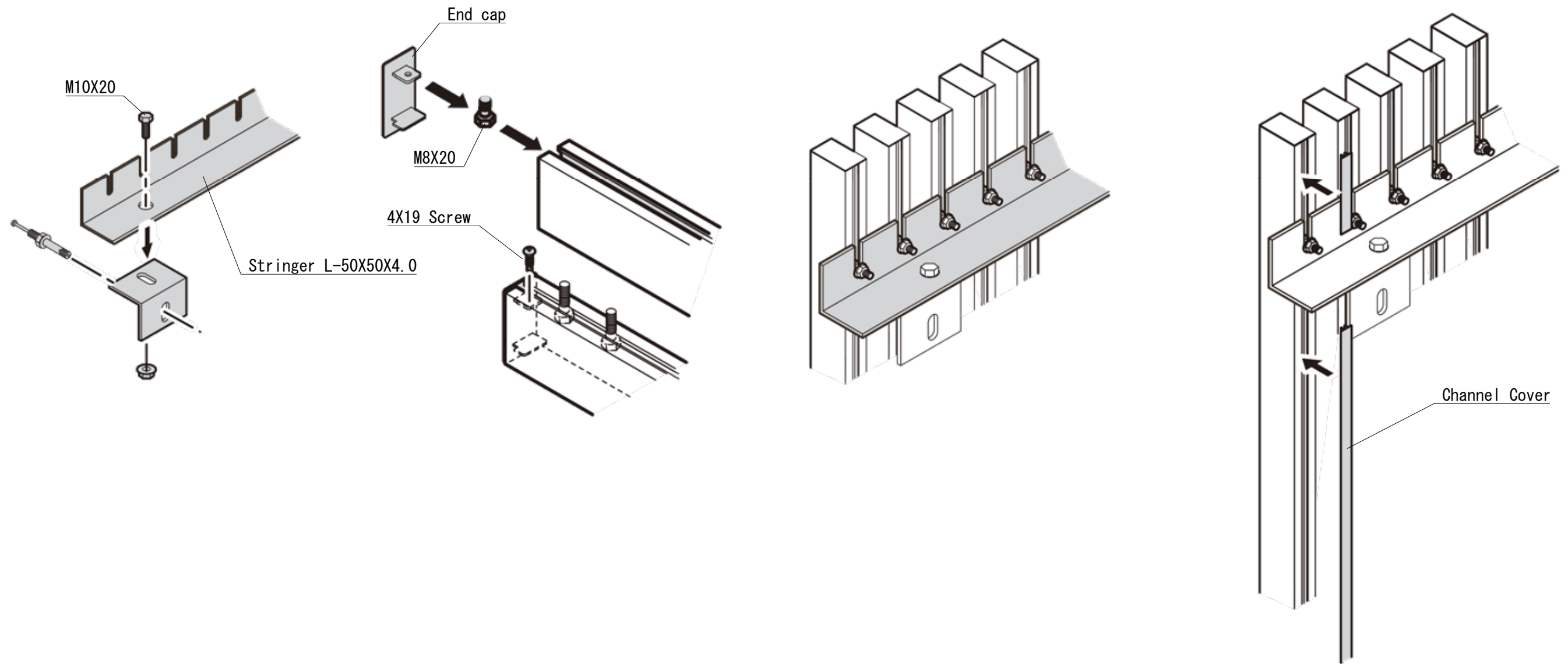
### ALC AUTOCLAVED LIGHT WEIGHT CONCRETE




		Product Name				Project Name	Date	Page	Scale	Projection
		MIZOTSUKI FIXINGS					06/2021	3 of 4		
3		Approval	Check	Drawing	Design			Covet International 27 / 131 Hyde St Yarraville VIC 3013		T +613 9398 8128 info@covet.com.au www.covet.com.au
2										
1										

# Mizotsuki Batten System detail

## Installation



		Product Name				Project Name	Date	Page	Scale	Projection	
		MIZOTSUKI INSTALLATION					06/2021	4 of 4		⊕	
3		Approval	Check	Drawing	Design			Covet International 27 / 131 Hyde St Yarraville VIC 3013		T +613 9398 8128 info@covet.com.au www.covet.com.au	
2											
1											