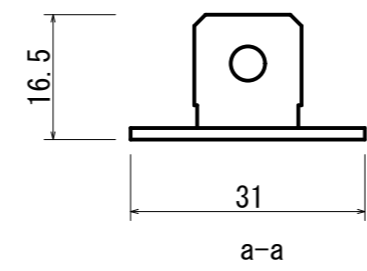
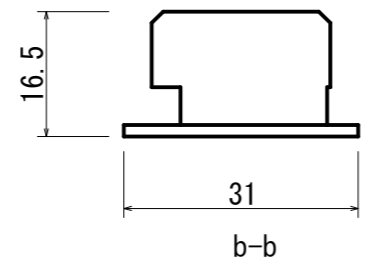
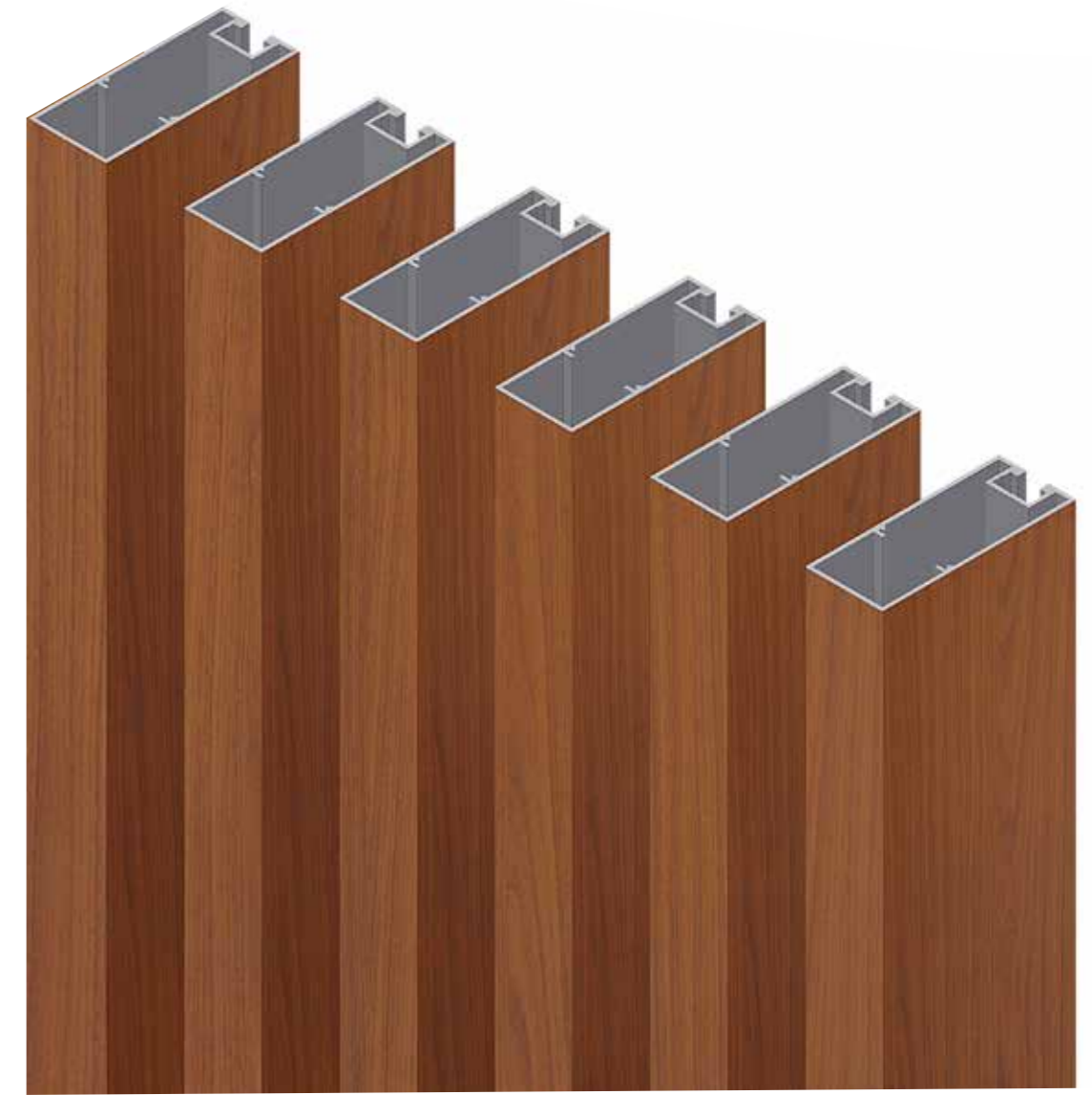
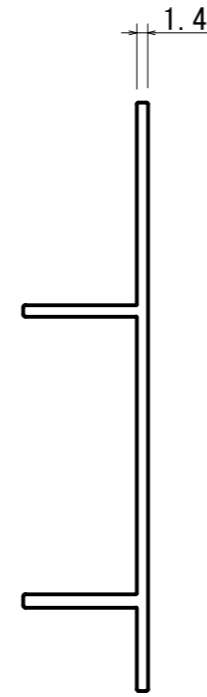
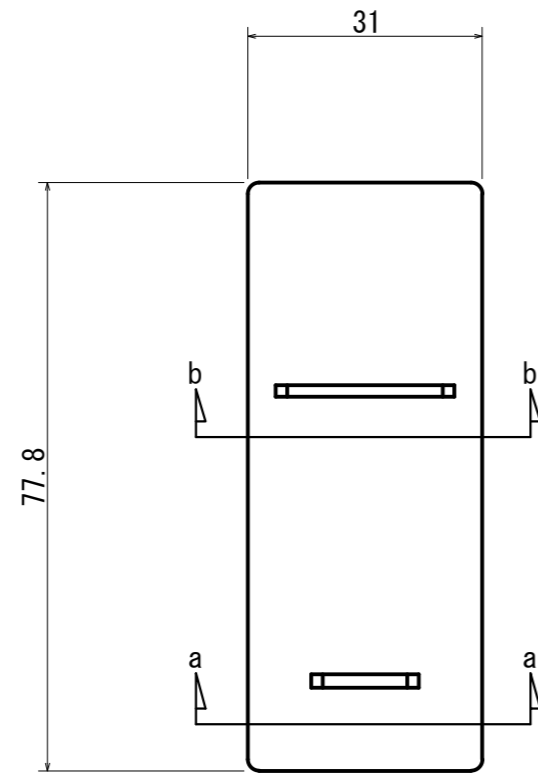
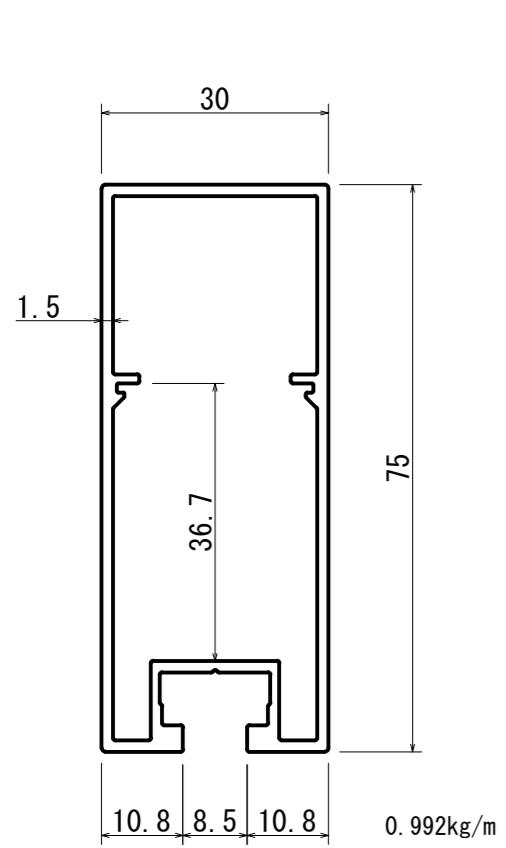



Mizotsuki Batten System detail

Profile: Mizotsuki 30X75

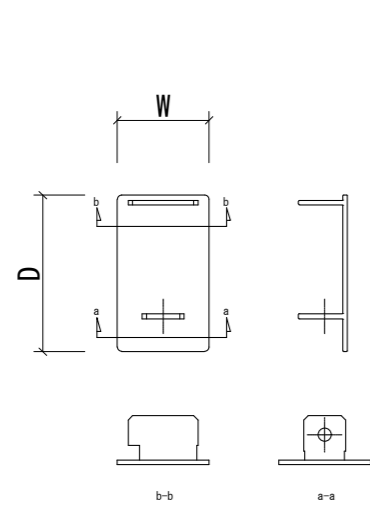
Batten: 0.992 kg/m



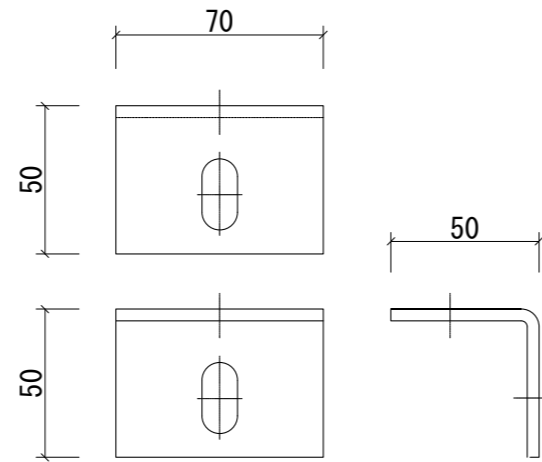
| | | | Product Name | | | | Project Name | Date | Page | Scale | Projection |
|---|--|--|-----------------|-------|---------|--------|---|---------|--------|----------|------------|
| | | | MIZOTSUKI 30X75 | | | | | 06/2021 | 1 of 4 | 1:1 (A3) | ⊕ |
| 3 | | | Approval | Check | Drawing | Design |  <div style="display: flex; justify-content: space-between; align-items: center;"> <div style="text-align: center;"> <p>Covet International 27 / 131 Hyde St Yarraville VIC 3013</p> </div> <div style="text-align: center;"> <p>T +613 9398 8128 info@covet.com.au www.covet.com.au</p> </div> </div> | | | | |
| 2 | | | | | | | | | | | |
| 1 | | | | | | | | | | | |

Mizotsuki Batten System detail

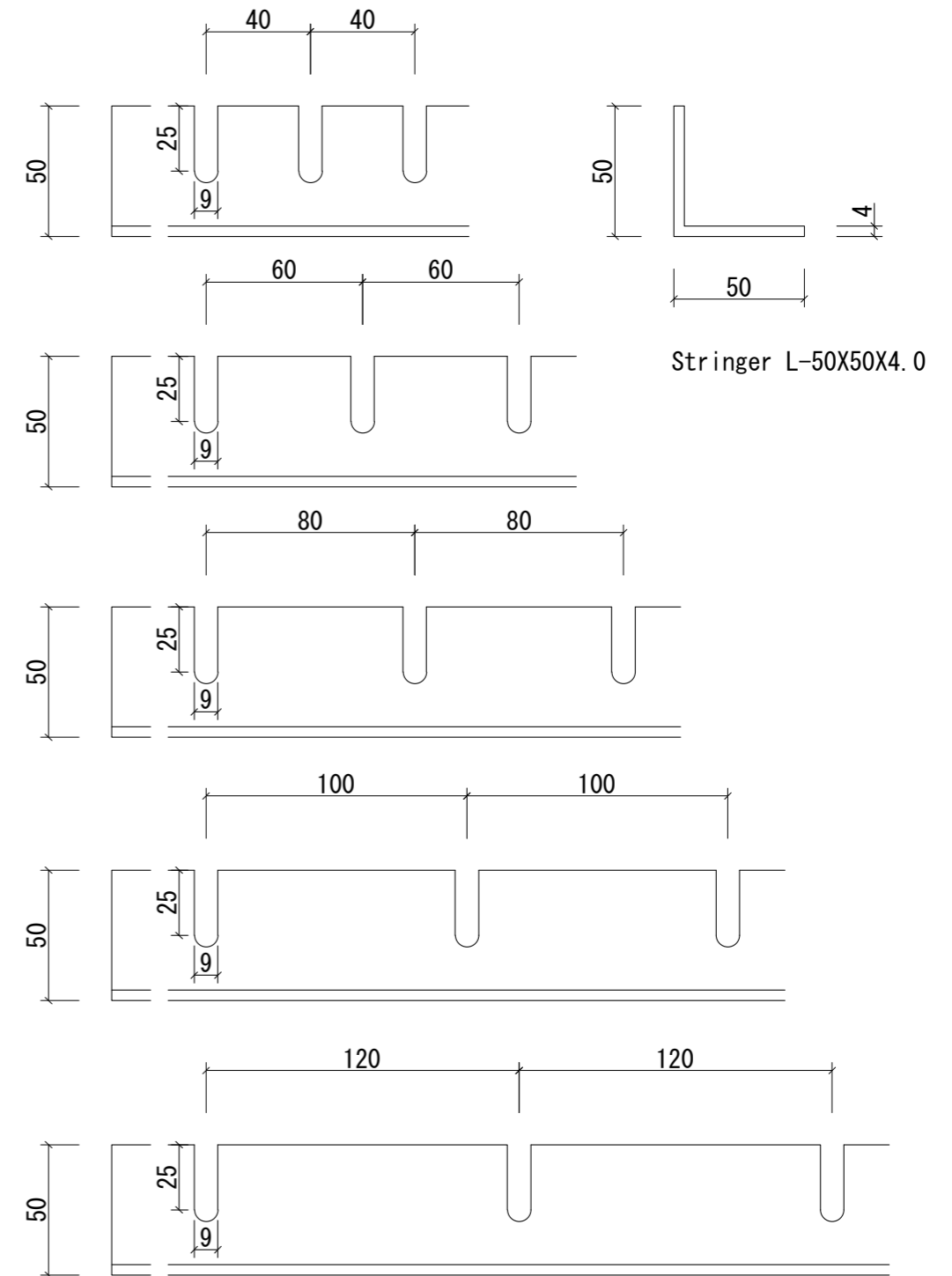
Profile: Mizotsuki L Brackets



End cap



Stringer L-50X50X4.0

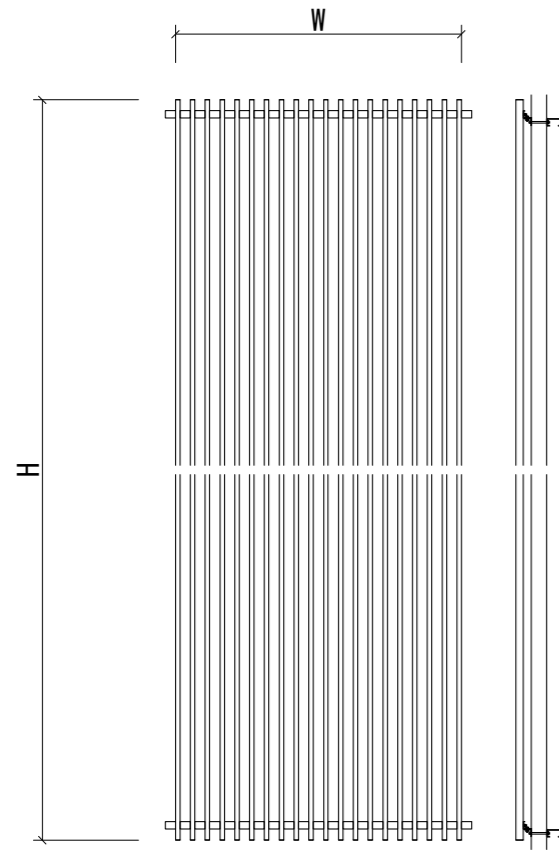


Stringer L-50X50X4.0

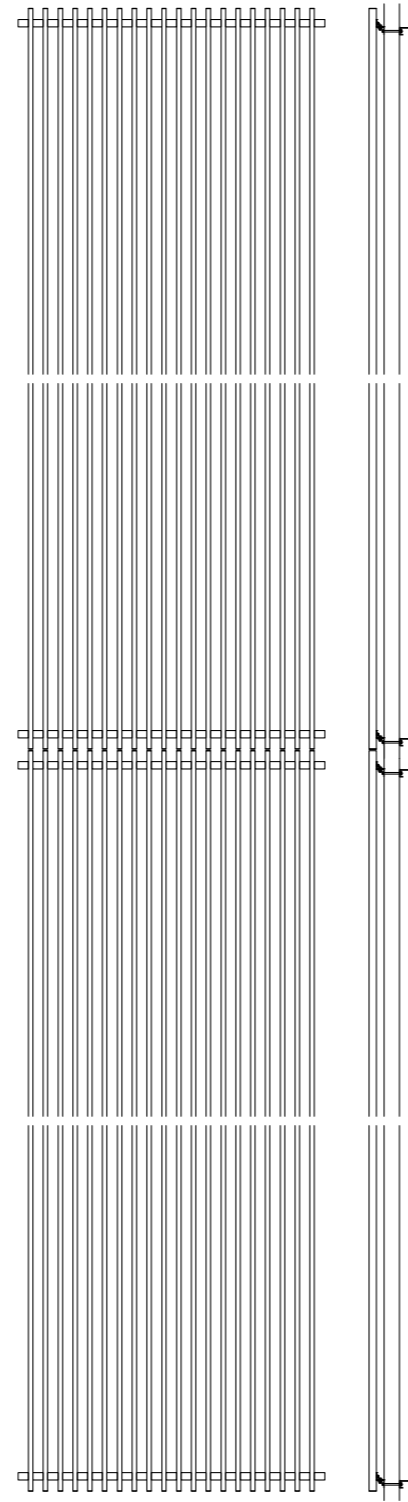
| | | Product Name | | | | Project Name | Date | Page | Scale | Projection |
|--|--|-----------------------------|-------|---------|--------|--------------|---------|--|-----------|---|
| | | MIZOTSUKI L BRACKETS | | | | | 06/2021 | 2 of 4 | 1:50 (A3) | |
| | | Approval | Check | Drawing | Design | | | Covet International 27 / 131 Hyde St Yarraville VIC 3013 | | T +613 9398 8128 info@covet.com.au www.covet.com.au |
| | | | | | | | | | | |
| | | | | | | | | | | |

Mizotsuki Batten System detail

Profile: Mizotsuki Fixings

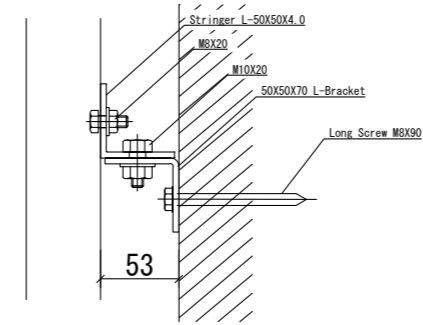


SINGLE PANEL

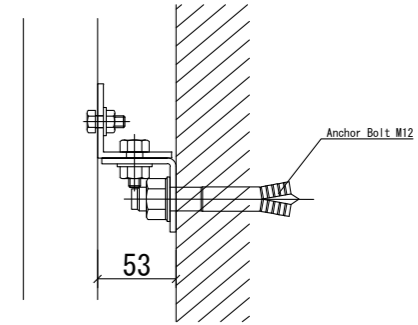


MULTIPLE PANEL

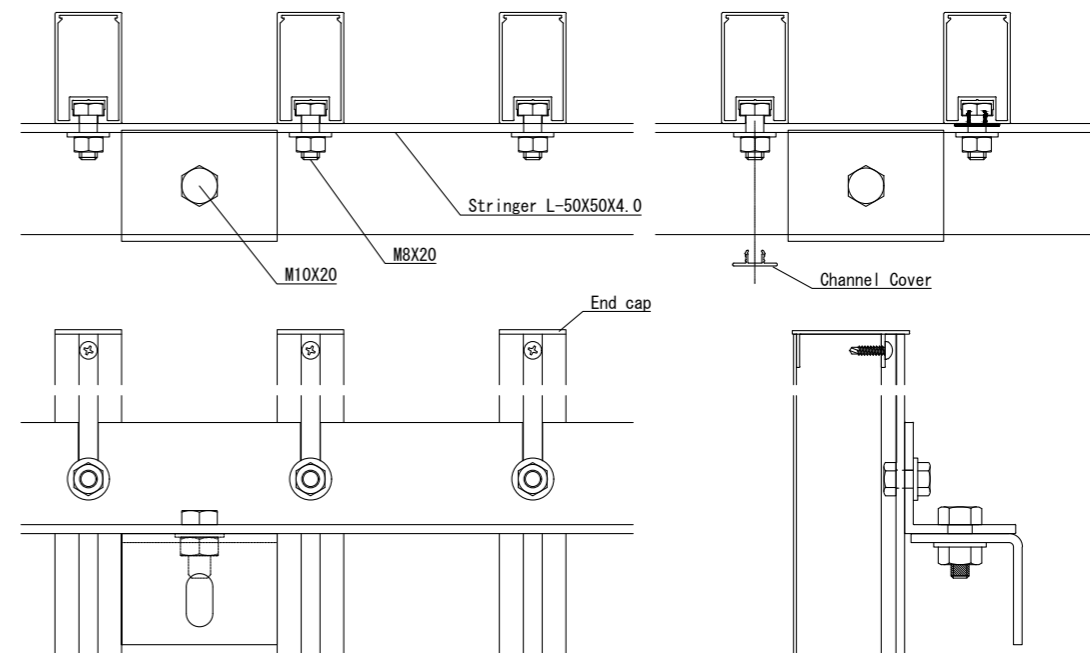
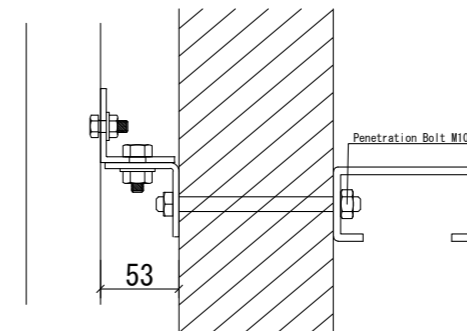
WOOD STRUCTURE



CONCRETE STRUCTURE



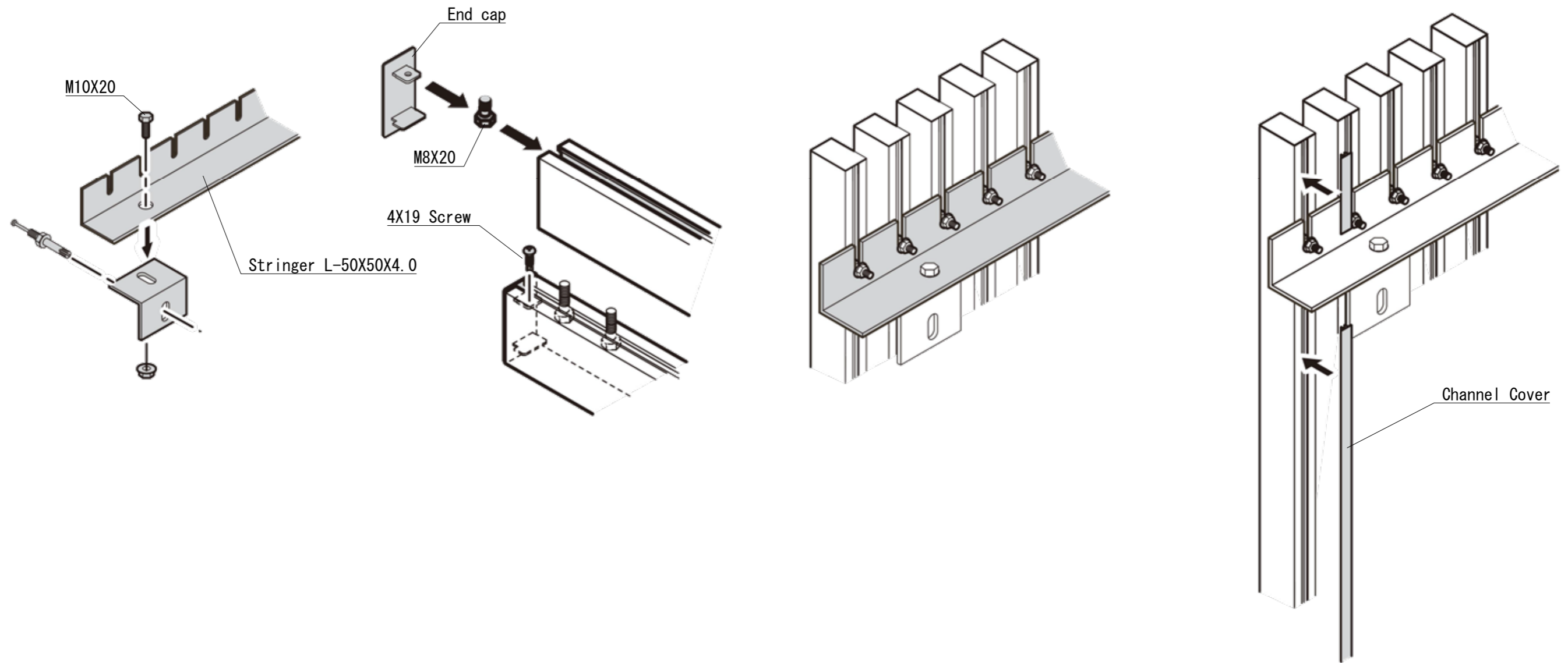
ALC AUTOCLAVED LIGHT WEIGHT CONCRETE




| | | Product Name | | | | Project Name | Date | Page | Scale | Projection |
|--|--|--------------------------|-------|---------|--------|--------------|---------|--|-------|---|
| | | MIZOTSUKI FIXINGS | | | | | 06/2021 | 3 of 4 | | |
| | | Approval | Check | Drawing | Design | | | Covet International 27 / 131 Hyde St Yarraville VIC 3013 | | T +613 9398 8128 info@covet.com.au www.covet.com.au |
| | | | | | | | | | | |
| | | | | | | | | | | |

Mizotsuki Batten System detail

Installation



| | | | Product Name | | | | Project Name | Date | Page | Scale | Projection | | |
|---|--|--|------------------------|-------|---------|--------|---|---------|--------|--|------------|---|--|
| | | | MIZOTSUKI INSTALLATION | | | | | 06/2021 | 4 of 4 | | ⊕ | | |
| 3 | | | Approval | Check | Drawing | Design |  | | | Covet International 27 / 131 Hyde St Yarraville VIC 3013 | | T +613 9398 8128 info@covet.com.au www.covet.com.au | |
| 2 | | | | | | | | | | | | | |
| 1 | | | | | | | | | | | | | |