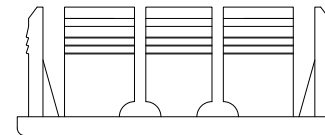
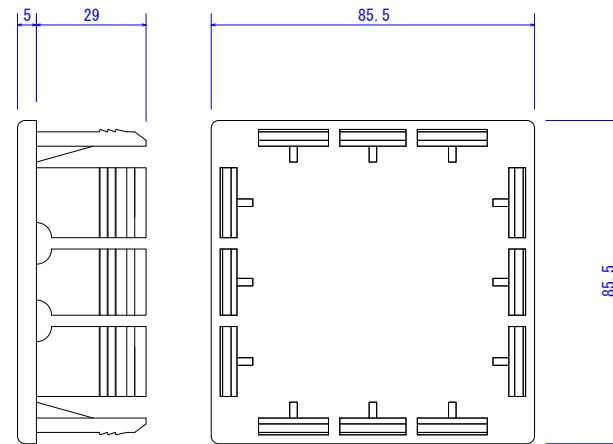
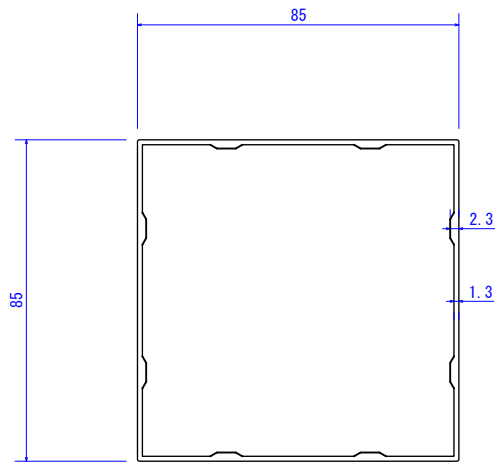







Koshi batten detail

Profile: Square 85x85

Weight: 2.218kg/m
 Batten thickness: 1.3 / 2.3mm
 End cap thickness: 5.0mm
 End cap: Coloured ABS plastic






Endcap detail



| | | Product Name | | | | Project Name | | Date | Page | Scale | Projection | |
|--|----------|---|--|--|--|--------------|-------|---------|--------|--|---|--|
| | | KOSHI SQUARE 85X85 | | | | | | 07/2021 | 1 of 2 | 1:2 |  | |
|  | | | | | | | | | | | | |
|  | Install | Never strike extrusion directly with a hammer or rubber mallet. Use a pine plank between the tool and the extrusion to avoid surface damage or denting. | | | | Approval | Check | Drawing | Design |  Melbourne Showroom 2 Ginibi Drive Altona North VIC 3025 T +613 9398 8128 info@covet.com.au www.covet.com.au | | |
|  | End Caps | Screw fix or apply exterior grade adhesive (Sikaflex) to secure cap to batten. | | | | | | | | | | |

Koshi Batten Installation Guide

- Aluminium can be damaged if mishandled. Never strike directly with a hammer or rubber mallet. Use a pine plank between the striking rubber mallet and the extrusion to avoid surface damage or denting.
- Cut aluminium with a drop saw using an aluminium blade.
- Always cap ends of extrusions with supplied end caps or a flashing to avoid moisture ingress.
- Metal end caps (painted) must be screwed to the extrusion.
- All end caps can only be applied to straight 90 degree cuts. They cannot be applied to angle end cuts.
- Ensure appropriate screws are used to suit the substrate you are fastening to. It is important to use stainless steel or bi-metal screws for all metal surfaces impacted when fastening (i.e. furring channels, top hats, steel frames). This will prevent galvanic reaction between the screw/substrate and aluminium extrusion.
- Fasten at maximum 1 metre spans. Please contact Covet for further information.

| | | Product Name | | | | Project Name | Date | Page | Scale | Projection |
|---|----------|---|----------|-------|---------|--------------|---|--------|---|---|
| | | KOSHI BATTENS | | | | | 07/2021 | 2 of 2 | |  |
|  | | | | | | | | | | |
|  | Install | Never strike extrusion directly with a hammer or rubber mallet. Use a pine plank between the tool and the extrusion to avoid surface damage or denting. | Approval | Check | Drawing | Design |  | | Melbourne Showroom 2 Ginibi Drive Altona North VIC 3025 | |
|  | End Caps | Screw fix or apply exterior grade adhesive (Sikaflex) to secure cap to batten. | | | | | | | | |